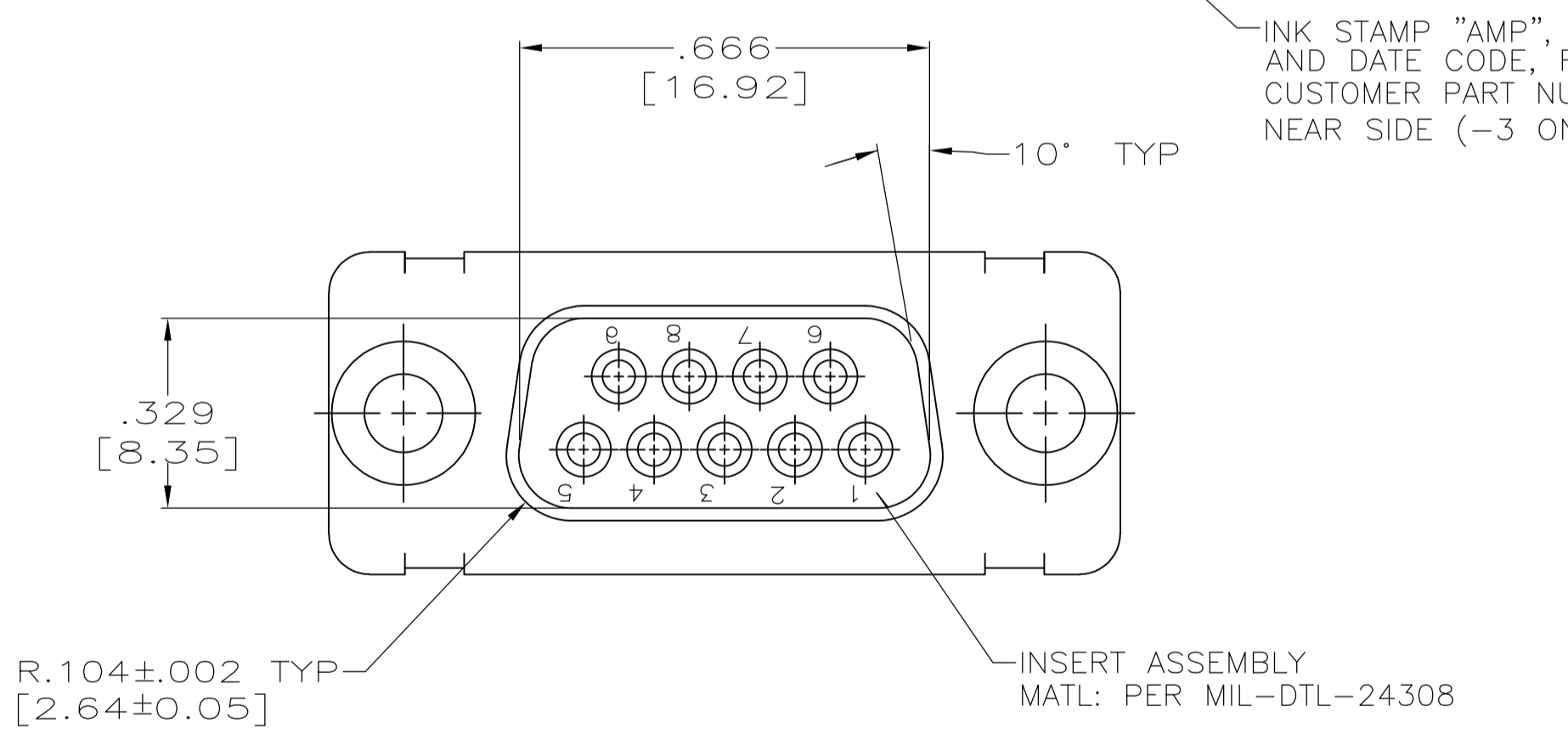
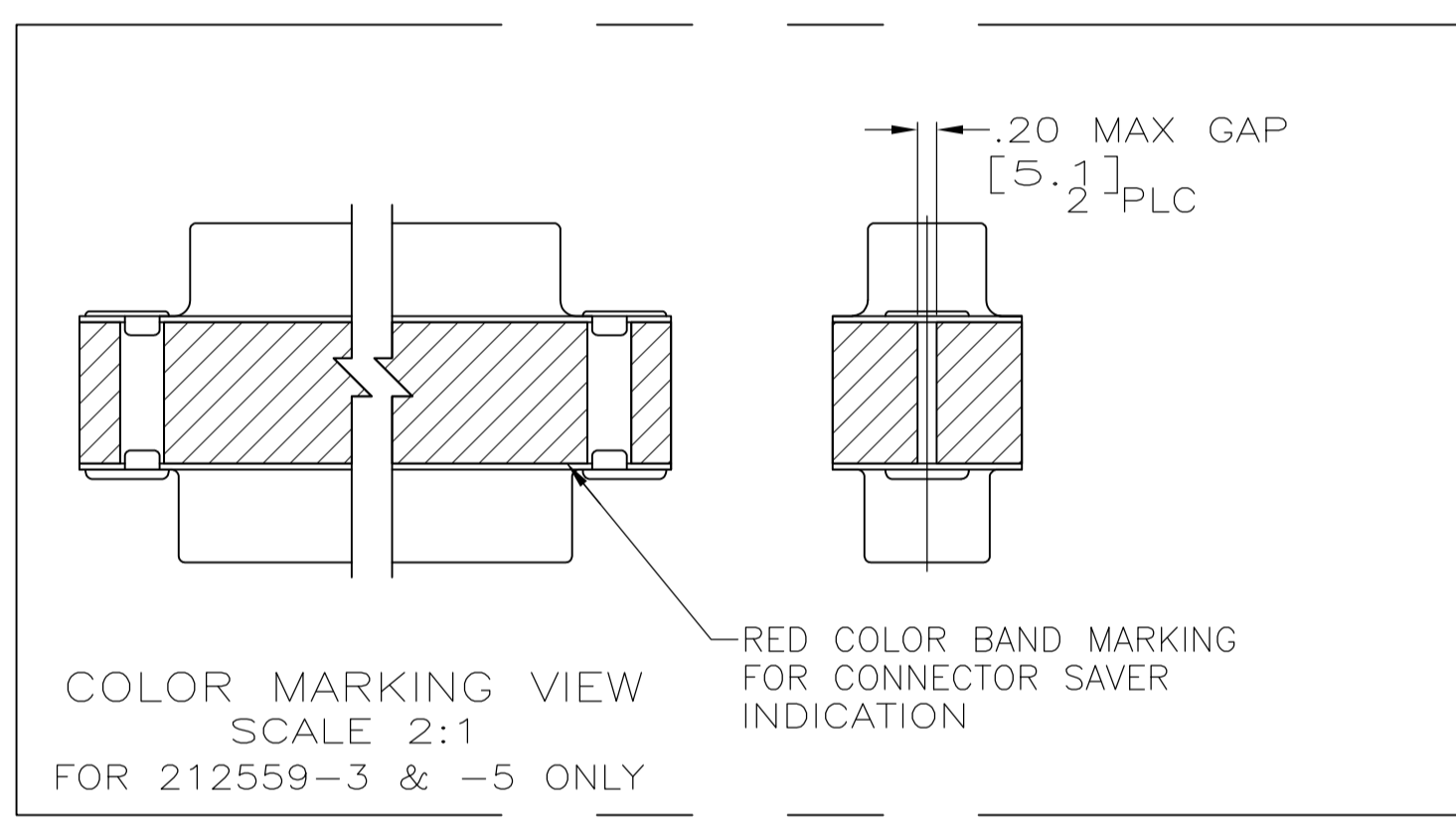
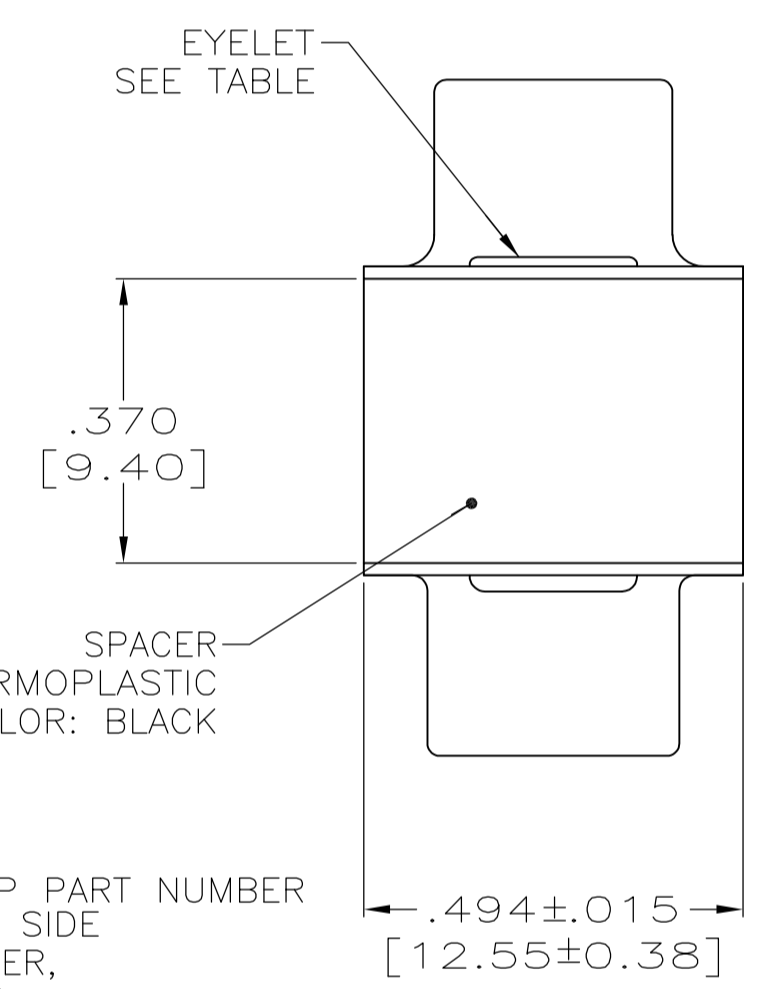
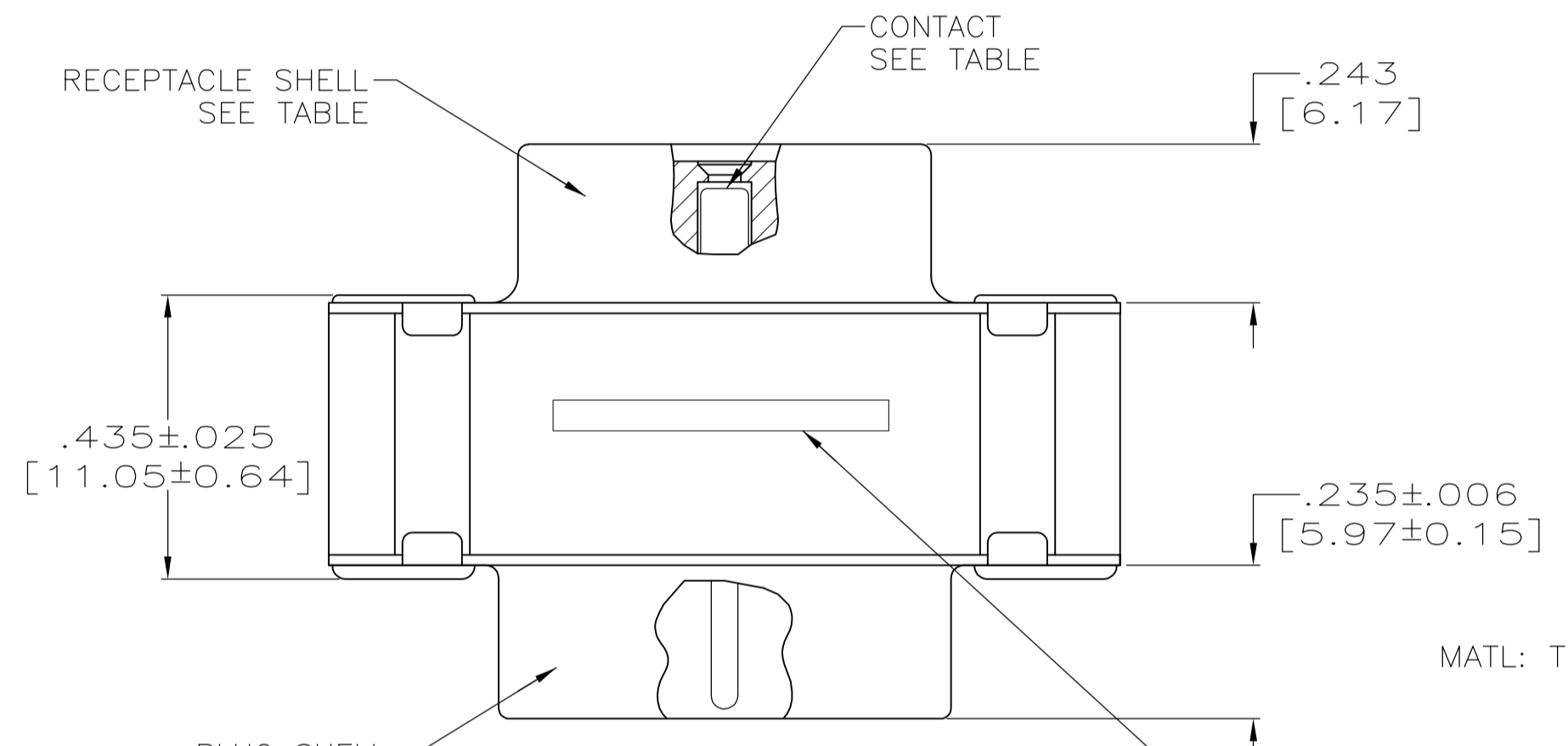
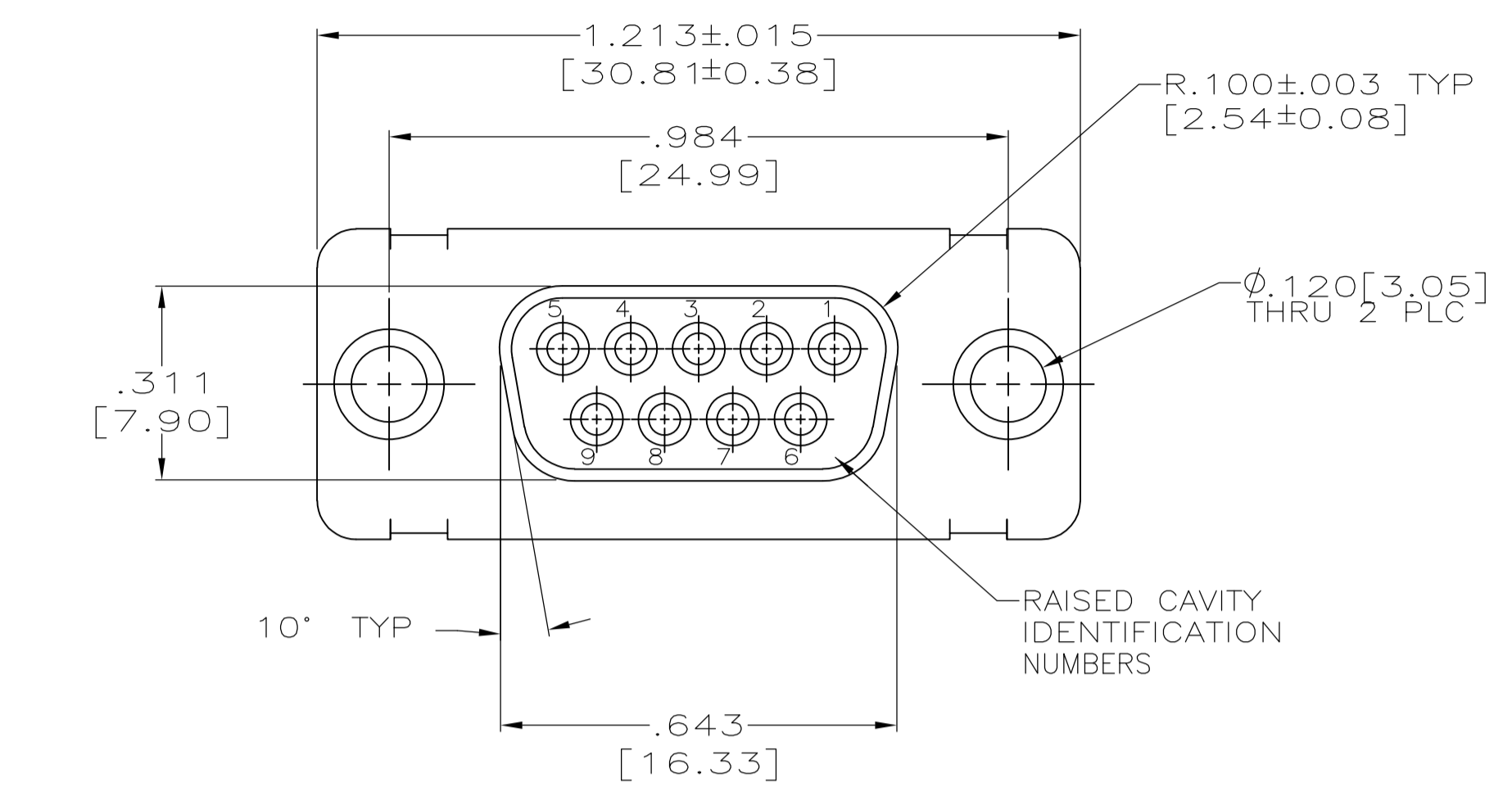


LOC		DIST		REVISIONS			
P	LTR	DATE	DESCRIPTION	DATE	DMN	APVD	
S		21MAY15	REVISED PER ECO-15-005911		KG	DM	



- CONTACTS INCLUDED IN ASSEMBLY.
 - MATL: STEEL, PER ASTM-A-109.
 - FINISH: CADMIUM PER QQ-P-416.
- CONTACT
 - BODY MATL: BERYLLIUM COPPER PER ASTM-B-197.
 - BODY FINISH: PLATED GOLD, .000050 MIN THK PER ASTM-B-488 OVER NICKEL, .000050 MIN THK PER QQ-N-290.
 - HOOD MATL: STAINLESS STEEL PER ASTM-A-167.
 - HOOD FINISH: PASSIVATED PER ASTM-A-380.
- FINISH: PLATED ZINC .00020 MIN THK PER ASTM-B-633. YELLOW CHROMATE FINISH.
- MATL: BRASS PER ASTM-B-36.
- FINISH: PLATED GOLD, .000050 MIN THK PER ASTM-B-488 OVER COPPER, .000100 MIN THK PER MIL-C-14550.
- CONTACT
 - BODY MATL: BERYLLIUM COPPER PER ASTM-B-197.
 - BODY AND HOOD FINISH: PLATED GOLD, .000050 MIN THK PER ASTM-B-488 OVER COPPER, .000100 MIN THK PER MIL-C-14550.
 - HOOD MATL: BRASS PER ASTM-B-36.
- FINISH: PLATED ZINC PER ASTM-B-633 .000200 MIN THK WITH SUPPLEMENTARY CHROMATE (Cr3+).
- CUSTOMER PART NUMBER MARKING FOR -5

△6 △9	△2 △9	△4	-	5-212559-1
△6 △7	△7 △6	△4	4U884 SOCN R10002677-0101 △10	212559-5
OBSOLETE	-	-	-	212559-4
△6 △7	△7 △6	△4	(1J02-101)	212559-3
△6 △7	△7 △6	△8	-	212559-2
△6 △5	△2 △3	△4	-	212559-1
EYELET	SHELLS	CONTACT	CUSTOMER P/N	PART NO.

DIMENSIONS:		TOLERANCES UNLESS OTHERWISE SPECIFIED:		APPROVED		DATE		NAME	
INCHES		0 PLC	± -	D. THOMPSON	11-07-94	TE Connectivity			
		1 PLC	± -	D. MANTIONE	11-10-94	CONNECTOR SAVER, AMPLIMITE			
		2 PLC	± -	D. MANTIONE	11-10-94	9 POSITION, SIZE 1, SERIES 109			
		3 PLC	± .005 [0.13]	PRODUCT SPEC		APPLICATION SPEC		RESTRICTED TO	
		4 PLC	± -	WEIGHT		SCALE		SHEET	
		ANGLES	± -	A1 00779 C=212559		4:1		1 OF 1	
MATERIAL	FINISH	CUSTOMER DRAWING		SCALE		SHEET		REV	